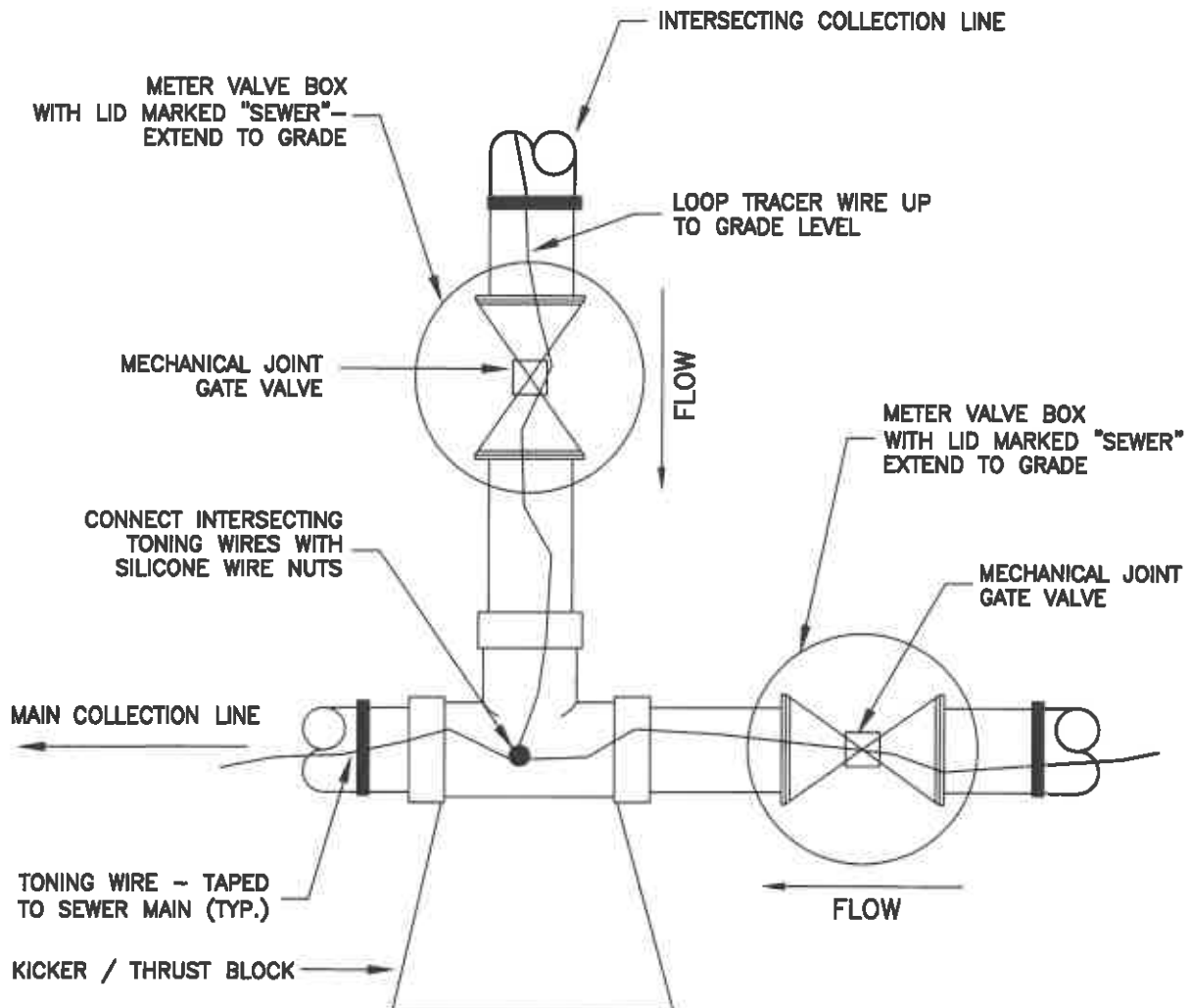


NOTES:

- ALL FITTINGS AND VALVES TO BE SCH40 PVC GLUE JOINT PRESSURE RATED
- CAP STEP COLLECTION LINE OUTSIDE OF METER BOX IF THERE IS NO TIE-IN AT TIME OF INSTALL

TYPICAL SERVICE CONNECTION (PRESSURE)	
Scale: 1" = 8"	DRAWING NUMBER: 01
Revision:	PREPARED BY:
Date: 7.3.2019	
Filename: typicalshcots.dwg	




**** GATE VALVE / BOX NOTE**

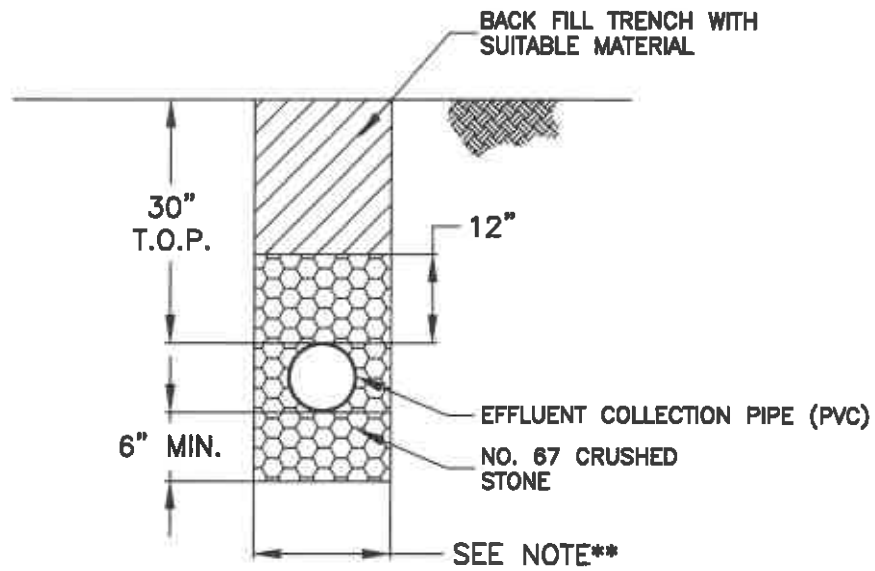
VALVE BOXES FOR THE MECHANICAL GATE VALVES SHALL BE OF TWO-PIECE DESIGN, 5 $\frac{1}{4}$ " ϕ WITH DROP COVERS MARKED "SEWER", PAINTED GREEN, AND MANUFACTURED BY RUSSO PRODUCTS OR EQUIVALENT.

ALL OTHER VALVE BOXES SHALL INCLUDE: CONCRETE BOX AND STEEL FRAME WITH COVER MARKED "SEWER" MANUFACTURED BY JARRETT CONCRETE OF EQUIVALENT.

COLLECTION LINES 2" ϕ , AND SMALLER, SCH40 PVC BALL VALVES WILL BE USED.

COLLECTION LINES 3" ϕ , AND LARGER, FLOWMASTER MECHANICAL JOINT SQUARE HEAD VALVES, OR EQUAL WILL BE USED.

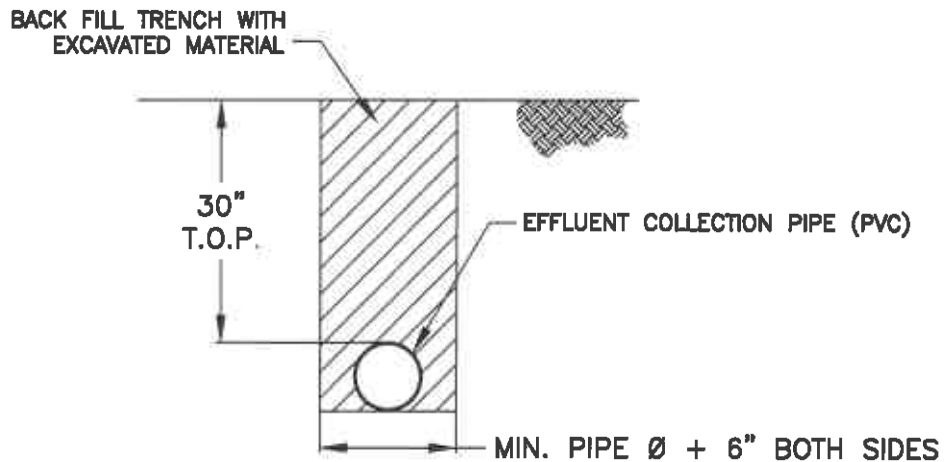
TYPICAL COLLECTION LINE INTERSECTION	
Scale: N.T.S.	DRAWING NUMBER: 02
Revision:	PREPARED BY:
Date: 4.30.2019	
Filename: typdetailsheet.dwg	



TYPICAL TRENCH (ROCK EXCAVATION)

SCALE: AS NOTED

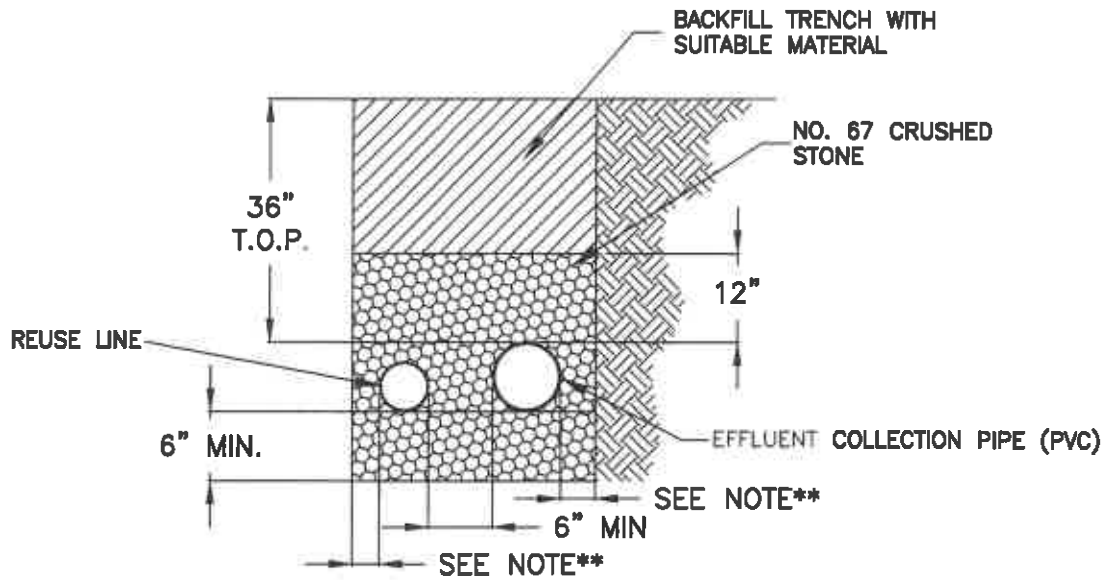
**TRENCH TO BE AT MINIMUM 12" WIDE OR 3 * PIPE Ø WHICH EVER IS GREATER



TYPICAL TRENCH (EARTH EXCAVATION)

SCALE: AS NOTED

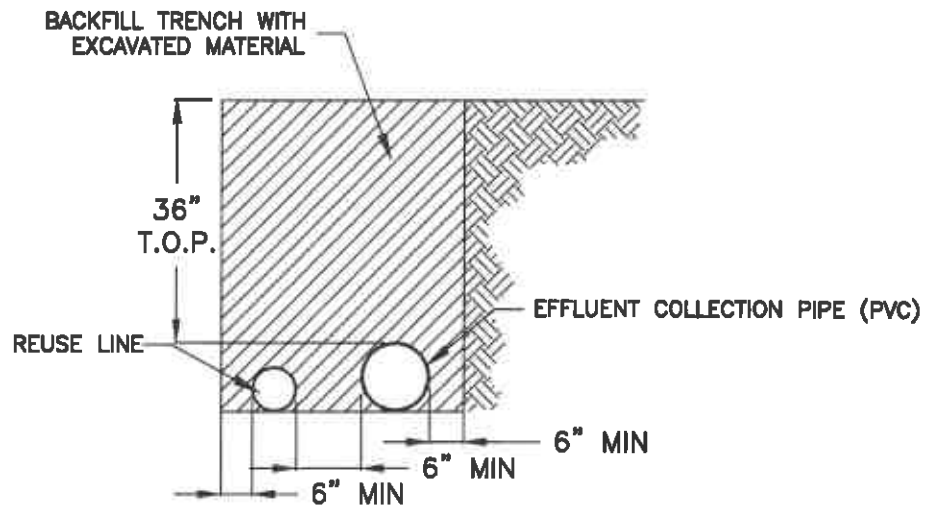
TYPICAL TRENCH	
Scale: AS NOTED	DRAWING NUMBER: 03
Revision:	PREPARED BY:
Date: 4.30.2019	
Filename: typdetailshoets.dwg	



BEDDING/BACKFILL REQUIREMENTS (ROCK EXCAVATION)

SCALE: AS NOTED

**TRENCH TO BE AT MINIMUM 12" WIDE OR 3 * LARGEST PIPE Ø WHICH EVER IS GREATER



BEDDING/BACKFILL REQUIREMENTS (EARTH EXCAVATION)

SCALE: AS NOTED

TYPICAL FORCE/REUSE MAIN TRENCH

Scale: AS NOTED

DRAWING NUMBER: 04

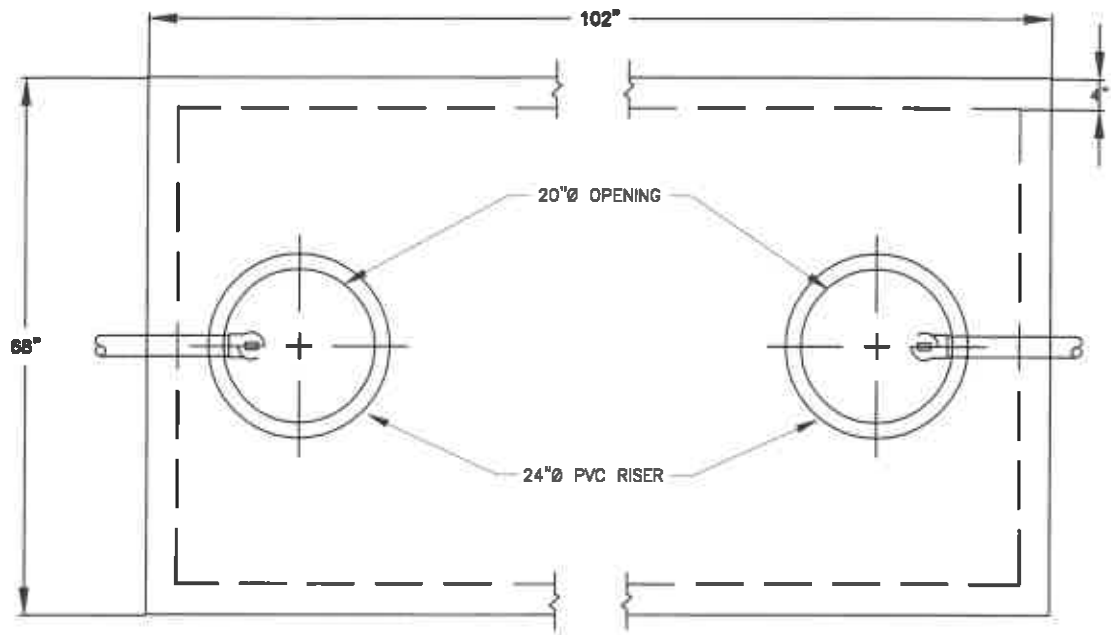
Revision:

PREPARED BY:

Date: 8.28.2019

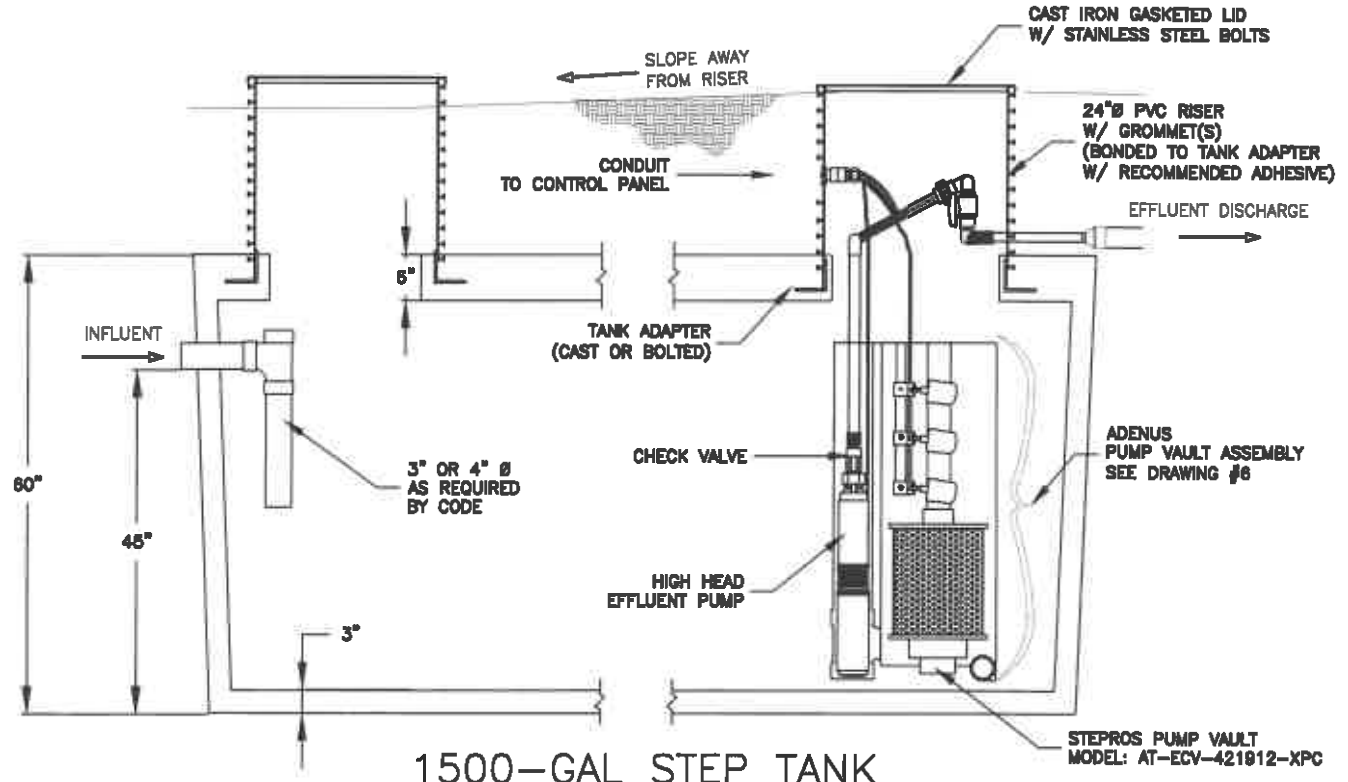
Filename:
typdetailshoets.dwg





PLAN VIEW

1" = 2'



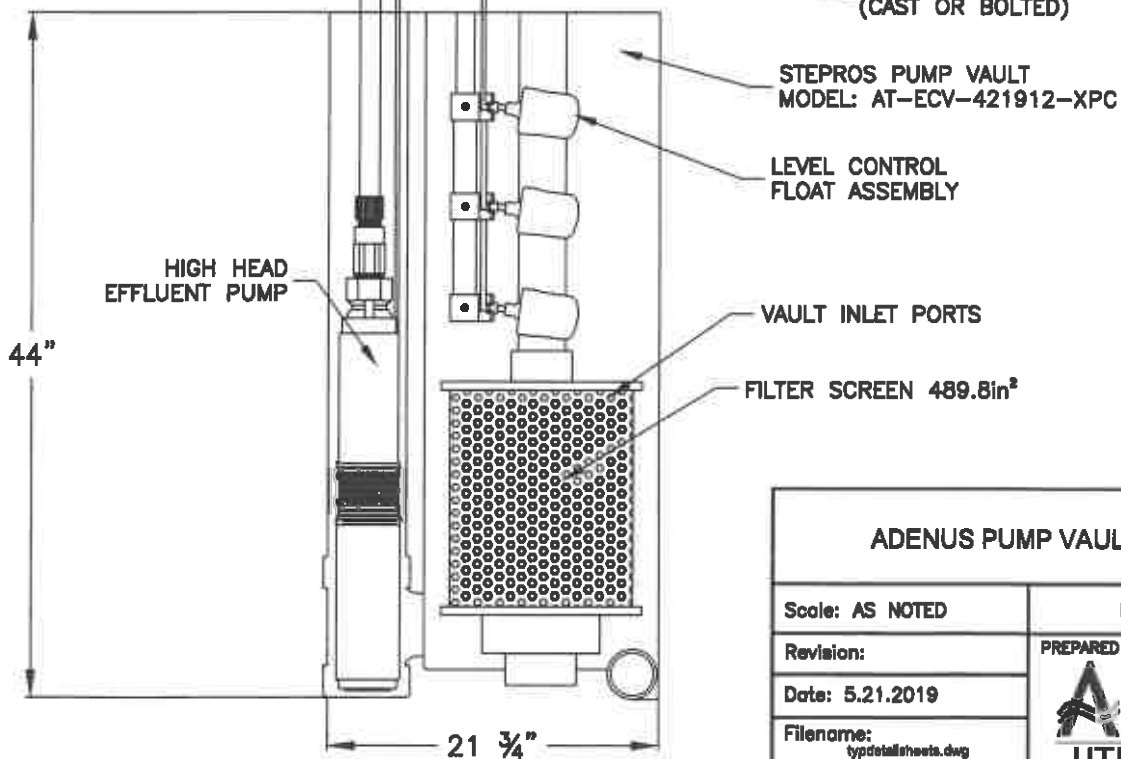
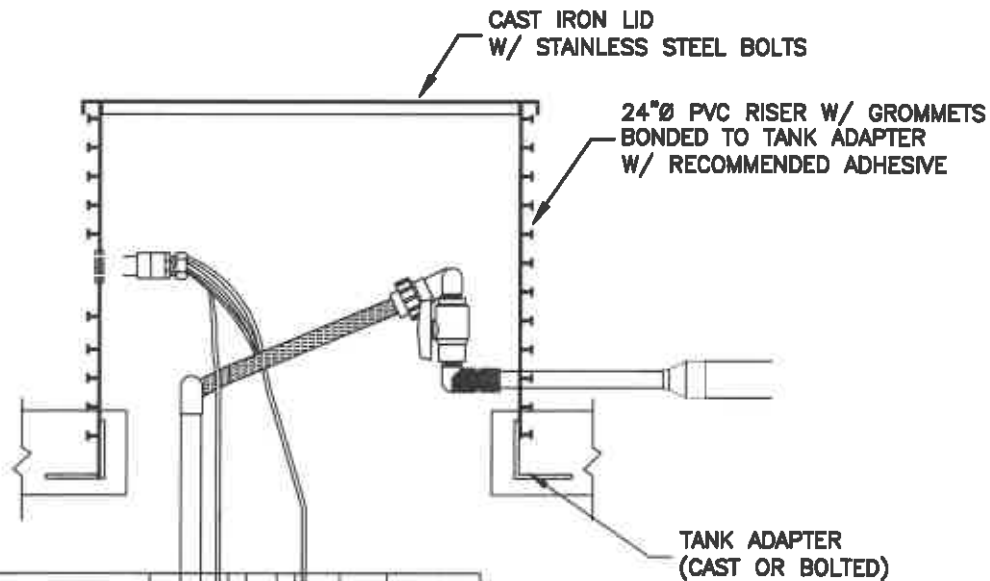
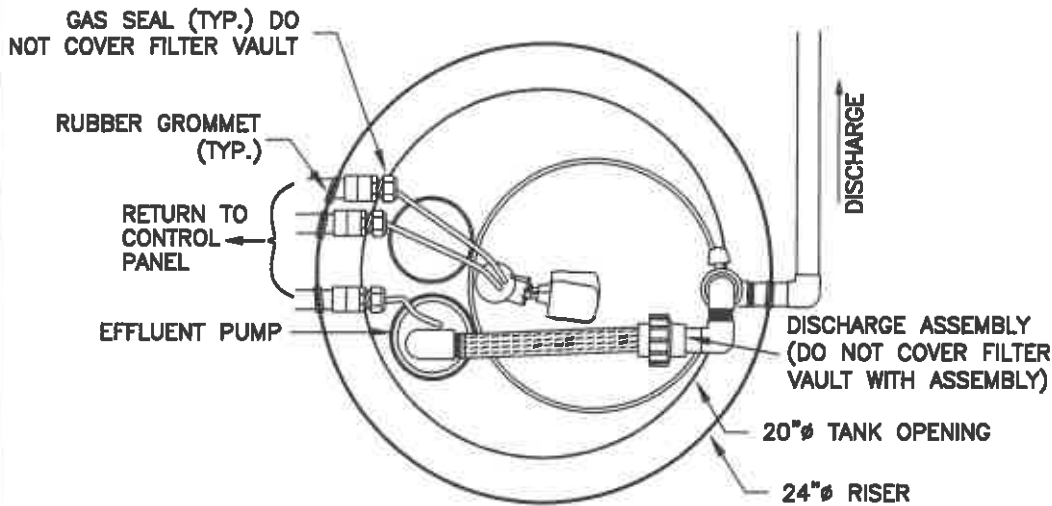
1500-GAL STEP TANK

1" = 2'

NOTES:

TANKS WILL BE A 1500-GALLON, WATERTIGHT PRE-CAST STEP TANK, AS MANUFACTURED BY JARRETT CONCRETE PRODUCTS, OR APPROVED EQUAL
 CONTACT: 615.792.9332

TYPICAL STEP COLLECTION TANK	
Scale: 1" = 2'	DRAWING NUMBER: 05
Revision:	PREPARED BY:
Date: 5.8.2019	
Filename: typdetailshets.dwg	



ADENUS PUMP VAULT ASSEMBLY

Scale: AS NOTED

DRAWING NUMBER: 06

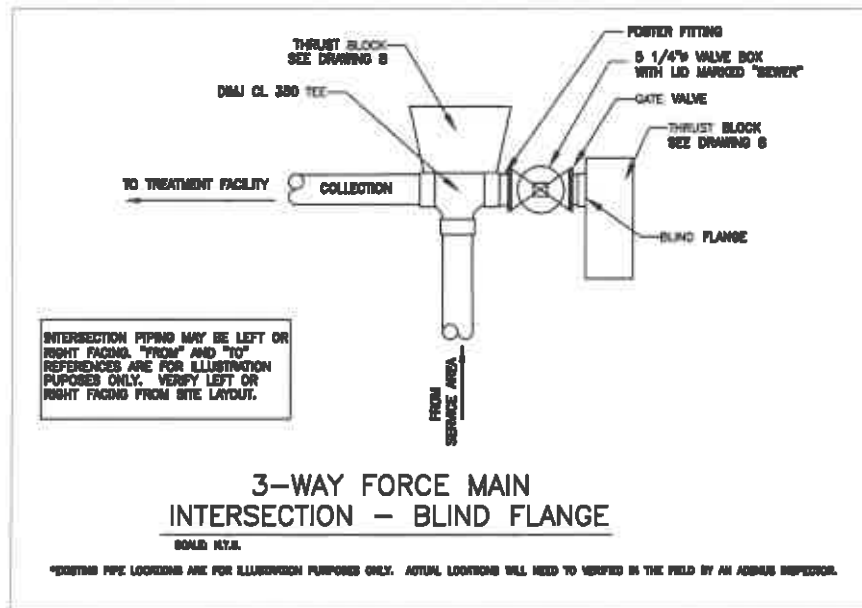
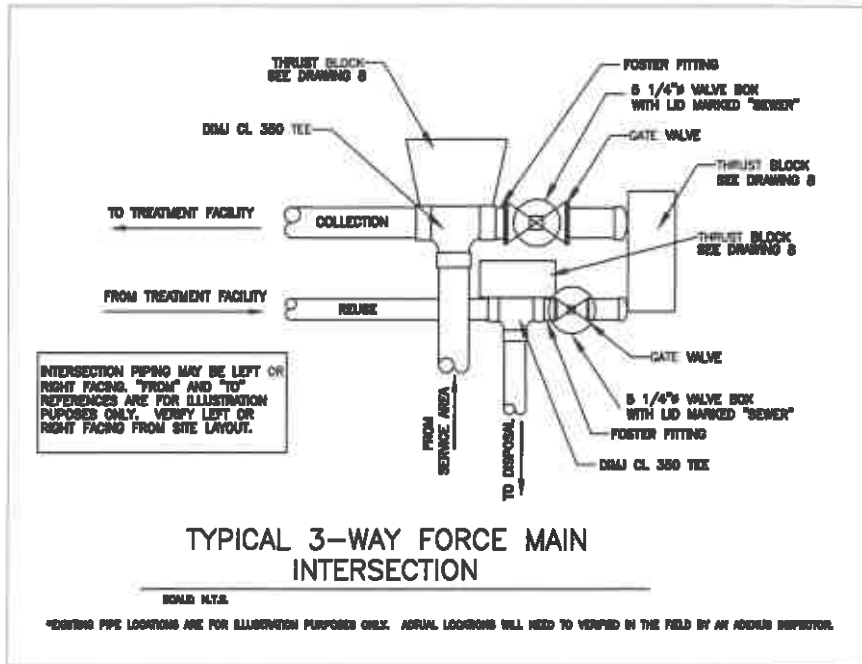
Revision:


PREPARED BY:

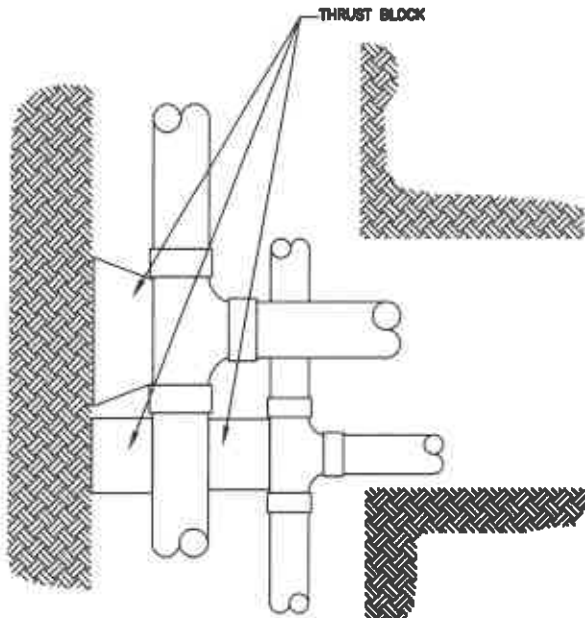
Date: 5.21.2019

Filename: typdetail sheets.dwg

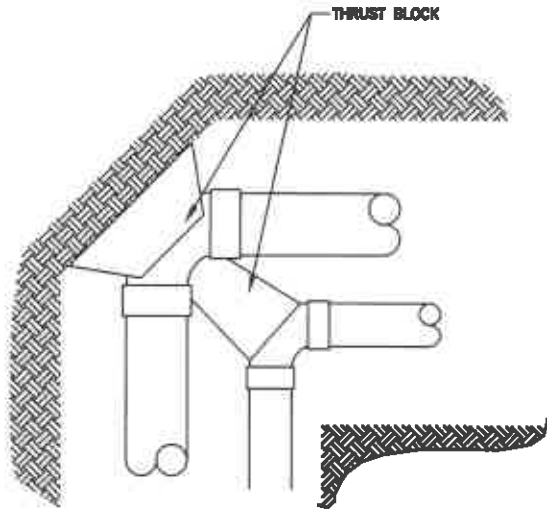




TYPICAL SERVICE CONNECTION (PRESSURE)	
Scale: AS NOTED	DRAWING NUMBER: 07
Revision:	PREPARED BY:
Date: 8.28.2019	
Filename: typdetailsheta.dwg	



8"-10" MJ TEE



INC. 90°, 45°, 22.5°
MJ FITTINGS

SIZE	TEE/PLUGS	90°	45°	22.5°
8"	4783	6763	3410	1885
10"	7430	10808	5297	2898

FOR REDUCERS, SUBTRACT SMALL OPENING PLUG THRUST FROM LARGE OPENING PLUG THRUST TO CALCULATE THRUST/100

SOIL TYPE	SAFE BEARING LOAD (LB PER SQ FT)
SOFT CLAY	1000
SAND	2000
SAND AND GRAVEL	3000
SAND AND GRAVEL CEMENT/CLAY	4000
HARD PAN	10000

TYPICAL THRUST BLOCK

SCALE: N.T.S.

1. PROVIDE POURED CONCRETE THRUST BLOCKS AT ALL CHANGES IN SIZE OR DIRECTION. BENDS, REDUCERS, PLUGS, AND THE OPPOSITE SIDE OF TEE BRANCHES ALL REQUIRE THRUST BLOCKS.
2. DIVIDE THE TOTAL THRUST BY THE BEARING CAPACITY OF THE SOIL IN EXCAVATION (FROM TABLE 2) TO DETERMINE THE AREA (IN SQUARE FEET) OF THRUST BLOCK REQUIRED TO BE IN CONTACT WITH THE UNDISTURBED SOIL.

FORCE MAIN THRUST BLOCK DETAIL

Scale: N.T.S.

DRAWING NUMBER: 08

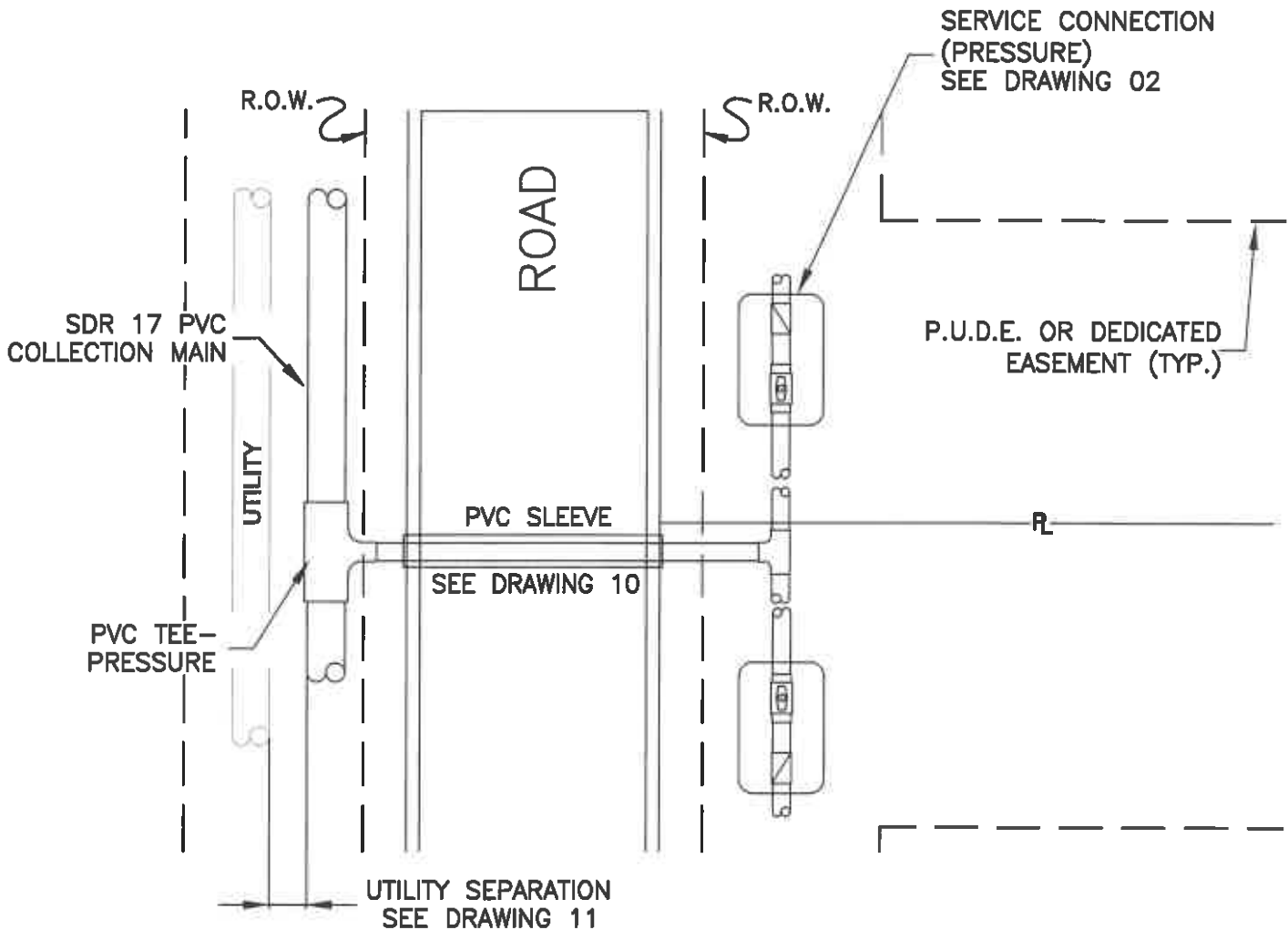
Revision:

PREPARED BY:

Date: 8.28.2019

Filename:
typdetailshets.dwg





TYPICAL ROAD CROSSING SERVICE CONNECTION

N.T.S.

** GATE VALVE / BOX NOTE

VALVE BOXES FOR THE MECHANICAL GATE VALVES SHALL BE OF TWO-PIECE DESIGN, 5 $\frac{1}{4}$ " \varnothing WITH DROP COVERS MARKED "SEWER", PAINTED GREEN, AND MANUFACTURED BY RUSSO PRODUCTS OR EQUIVALENT.

ALL OTHER VALVE BOXES SHALL INCLUDE: CONCRETE BOX AND STEEL FRAME WITH COVER MARKED "SEWER" MANUFACTURED BY JARRETT CONCRETE OF EQUIVALENT.

ROAD CROSSING SERVICE CONNECTION

Scale: N.T.S.

DRAWING NUMBER: 00

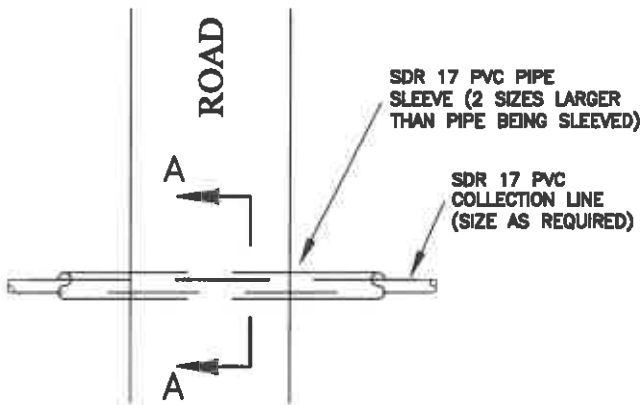
Revision:

PREPARED BY:

Date: 8.28.2019

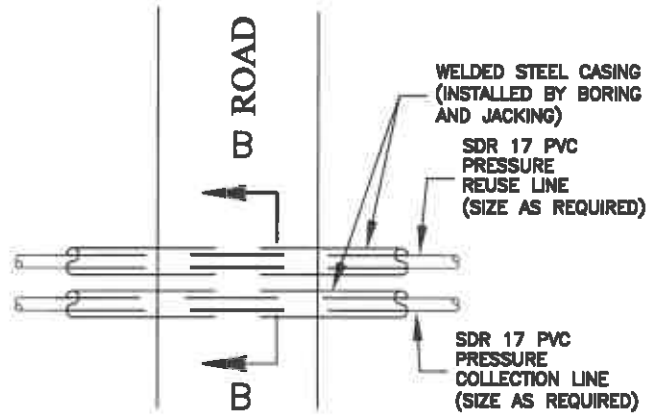
Filename:
typdetail sheets.dwg

Adenus
UTILITIES GROUP



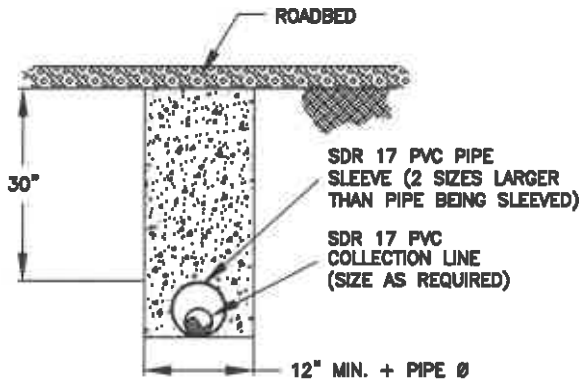
TYPICAL SEWER LINE ROAD CROSSING

N.T.S.



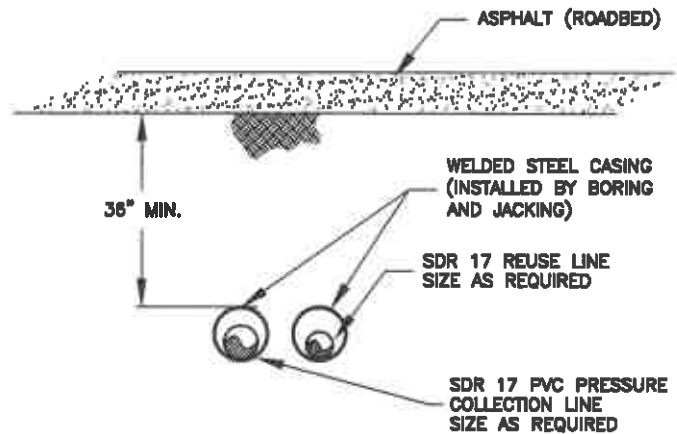
TYPICAL SEWER LINE STATE ROAD CROSSING

N.T.S.



SECTION A-A

N.T.S.



SECTION B-B

N.T.S.

PVC SLEEVED ROAD CROSSING

Scale: N.T.S.

DRAWING NUMBER: 10

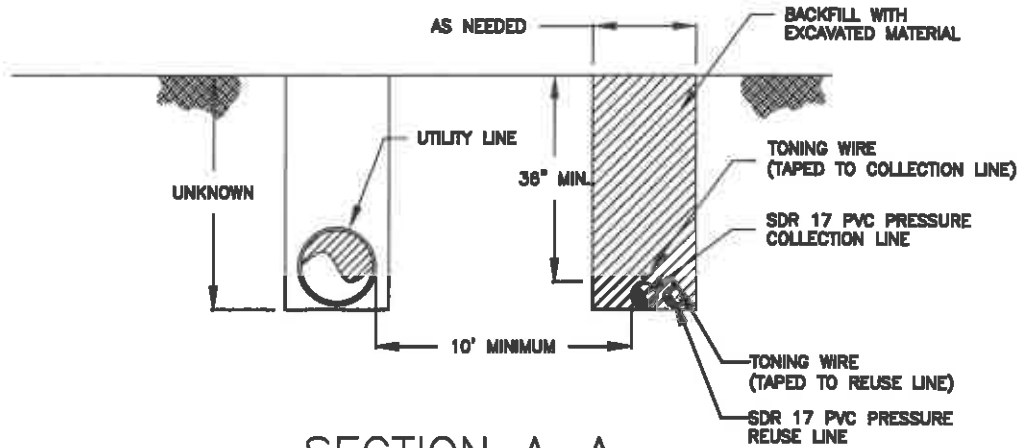
Revision:

PREPARED BY:

Date: 8.28.2019

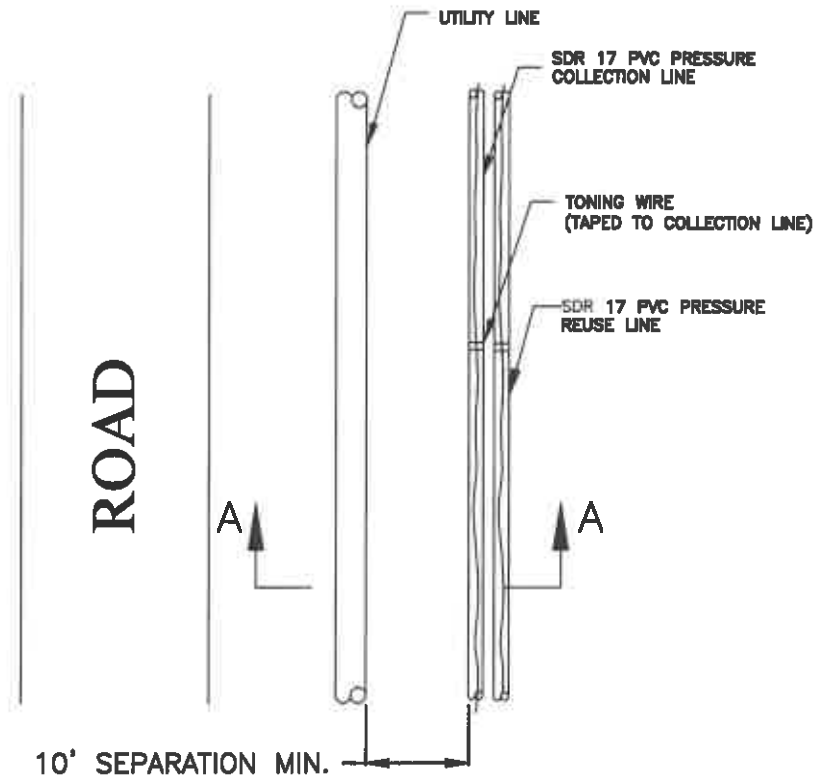
Filename: typdetailsheta.dwg

Adenus
UTILITIES GROUP



SECTION A-A

N.T.S.



TYPICAL UTILITY LINE SEPARATION DETAIL

N.T.S.

UTILITY LINE SEPARATION	
Scale: N.T.S.	DRAWING NUMBER: 11
Revision:	PREPARED BY:
Date: 8.28.2019	
Filename: typdetailshets.dwg	

SDR 17 PVC PIPE SLEEVE
(2 SIZES LARGER THAN
PIPE BEING SLEEVED)

WATER LINE

SDR 17 PVC
COLLECTION LINE
(SIZE AS REQUIRED)

6" MIN.

10' MIN.

10' MIN.

TYPICAL SEWER – WATER LINE CROSSING (WITH SLEEVE)

SCALE: N.T.S.

**** ONLY 6" (MIN.) OF SEPARATION MUST BE MAINTAINED IF SEWER LINE IS SLEEVED 10' (MIN.) BEYOND BOTH SIDES OF CROSSING WITH WATER LINE. OTHERWISE, 18" (MIN.) OF SEPARATION MUST BE MAINTAINED.**

18" MIN.

WATER LINE

EFFLUENT COLLECTION LINE

TYPICAL SEWER–WATER LINE CROSSING

SCALE: N.T.S.

6" MIN.

STORM LINE

EFFLUENT COLLECTION LINE

TYPICAL SEWER–STORM LINE CROSSING

SCALE: N.T.S.

UTILITY LINE SEPARATION CROSSING

Scale: N.T.S.

DRAWING NUMBER: 12

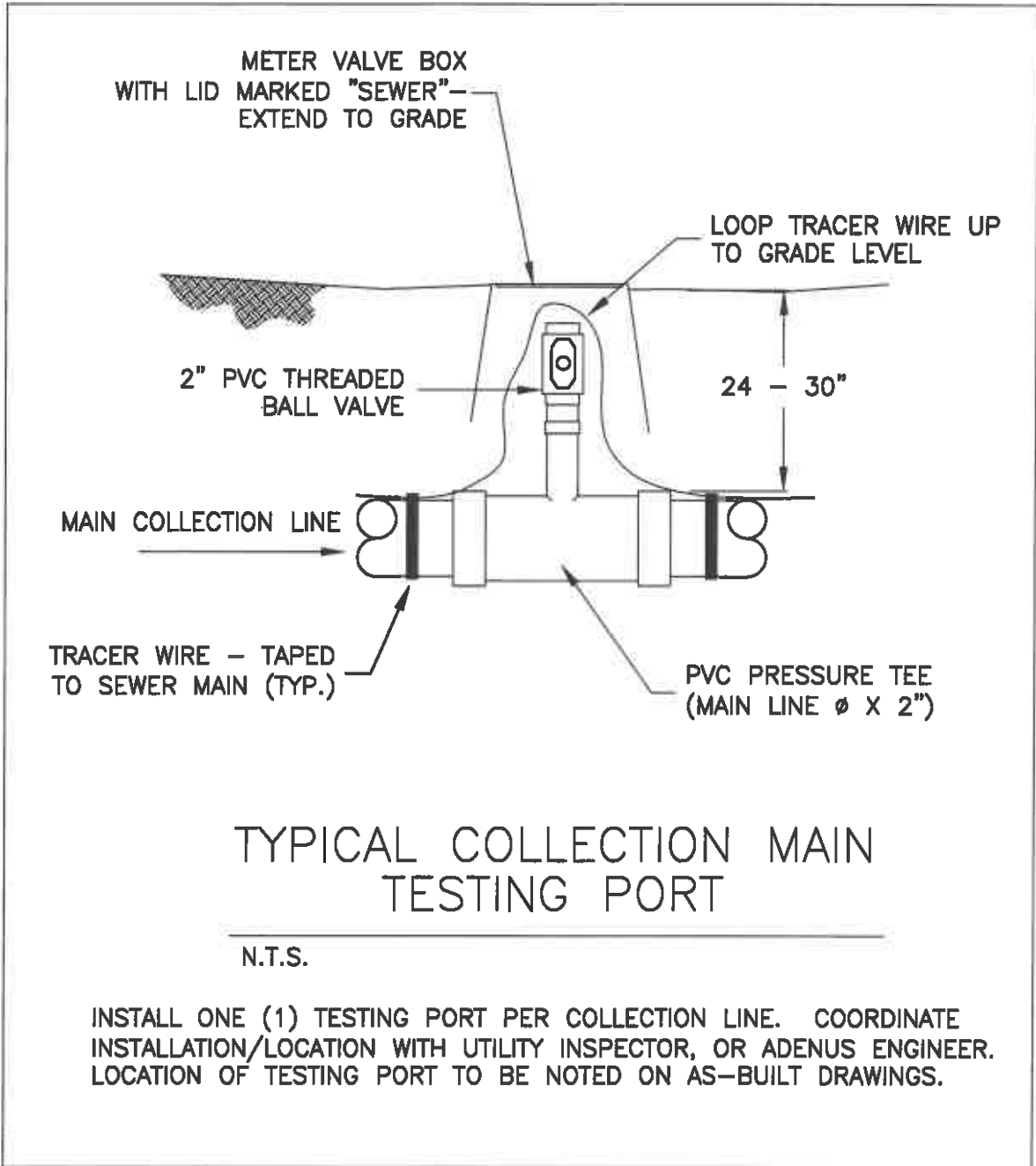
Revision:


PREPARED BY:

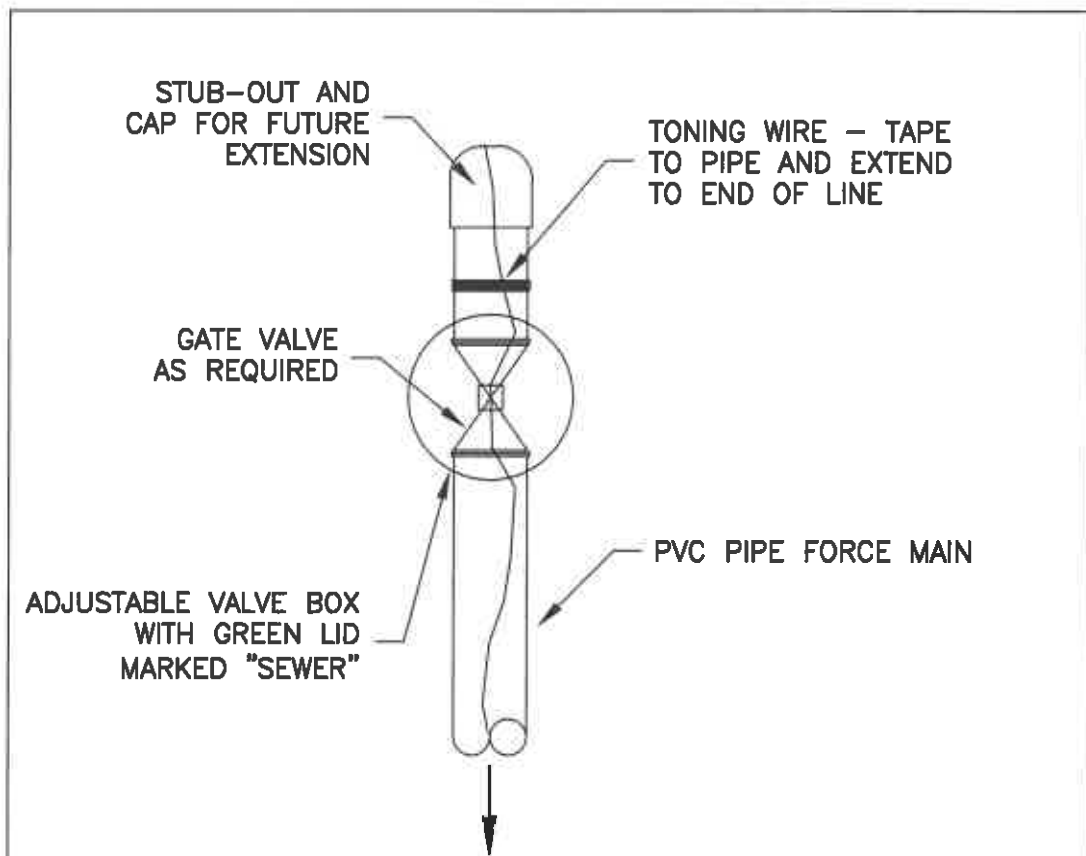
Date: 8.28.2019

Filename:
typdetailshets.dwg

Adenusy
UTILITIES GROUP



COLLECTION LINE TESTING PORT	
Scale: N.T.S.	DRAWING NUMBER: 13
Revision:	PREPARED BY:
Date: 8.28.2019	
Filename: typdetail sheets.dwg	



TYPICAL STUB FOR EXTENSION
 N.T.S.


**** GATE VALVE / BOX NOTE**

VALVE BOXES FOR THE MECHANICAL GATE VALVES SHALL BE OF TWO-PIECE DESIGN, 5 1/2"Ø WITH DROP COVERS MARKED "SEWER", PAINTED GREEN, AND MANUFACTURED BY RUSSO PRODUCTS OR EQUIVALENT.

ALL OTHER VALVE BOXES SHALL INCLUDE: CONCRETE BOX AND STEEL FRAME WITH COVER MARKED "SEWER" MANUFACTURED BY JARRETT CONCRETE OF EQUIVALENT.

COLLECTION LINES 2"Ø, AND SMALLER, SCH40 PVC BALL VALVES WILL BE USED.

COLLECTION LINES 3"Ø, AND LARGER, FLOWMASTER MECHANICAL JOINT SQUARE HEAD VALVES, OR EQUAL WILL BE USED.

STUB FOR EXTENSION	
Scale: N.T.S.	DRAWING NUMBER: 14
Revision:	PREPARED BY:
Date: 8.28.2019	
Filename: typdetailshets.dwg	